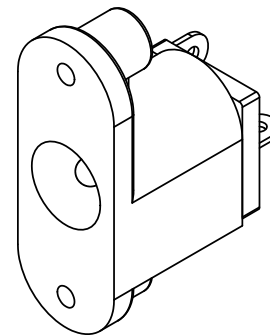
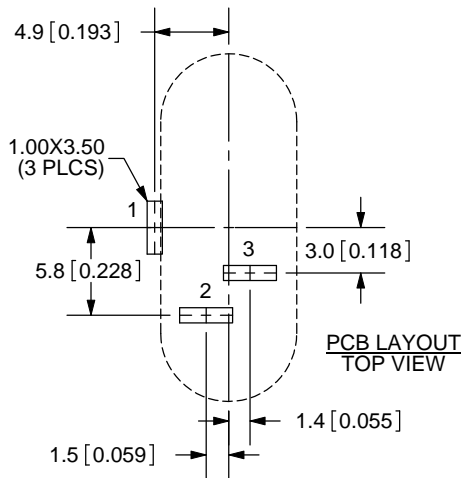
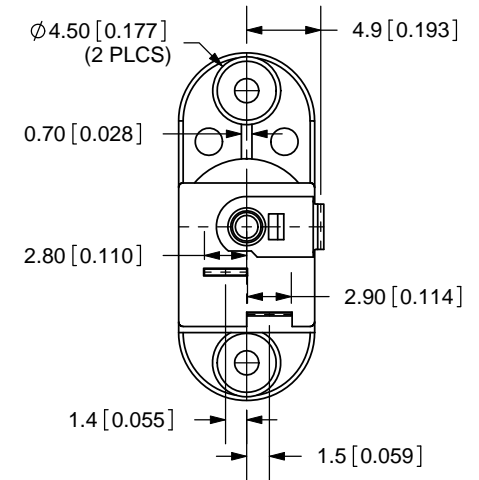
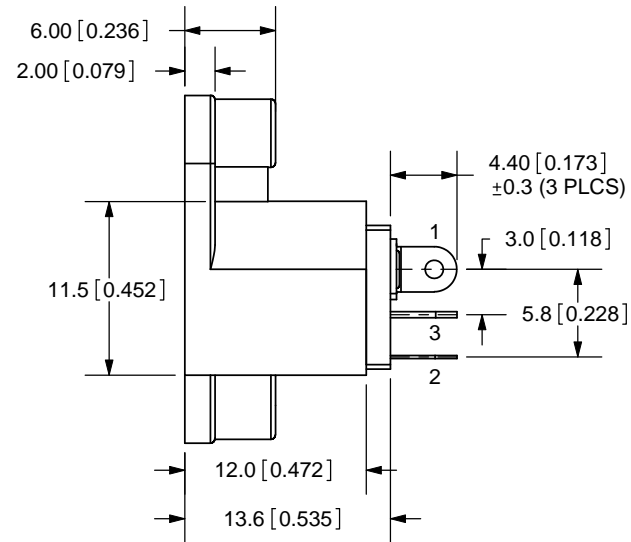
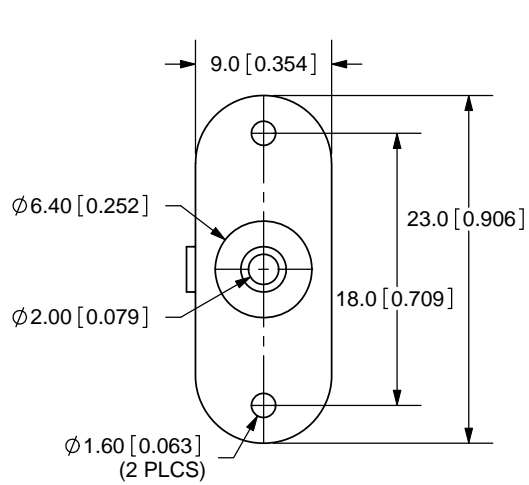


| REV. | DESCRIPTION | DATE |
|------|-------------|-----------|
| A | NEW DRAWING | 7/30/2007 |



TOLERANCE:
 X.X±0.2mm
 X.XX±0.1mm
 X.XXX±0.05mm




SPECIFICATIONS:
 RATING: 16V DC @ 2.5A
 CONTACT RESISTANCE: 50m OHMS MAX
 INSULATION RESISTANCE: 100M OHMS MIN: 500V DC
 VOLTAGE WITHSTAND: 500V AC R.M.S. FOR 1 MINUTE
 LIFE: 5,000 CYCLES

| | |
|-----------|---------|
| MODEL NO. | PJ-039A |
| SCHEMATIC | |

CENTER PIN DIAMETER 2.0mm Dia.

| | MATERIAL | PLATING |
|------------|--------------|---------|
| CENTER PIN | Copper | Nickel |
| TERMINAL 1 | Brass | Tin |
| TERMINAL 2 | Copper Alloy | Tin |
| TERMINAL 3 | Brass | Tin |
| BODY | PBT | |



20050 SW 112th Ave.
 Tualatin, OR 97062
 Phone: 503-612-2300
 800-275-4899
 Fax: 503-612-2383
 Website: www.cui.com

| | | |
|----------------------|--------------|--------------------|
| TITLE: DC POWER JACK | | REV: A |
| PART NO. PJ-039A | | UNITS: MM [INCHES] |
| DRAWN BY: ZRJ | APPROVED BY: | SCALE: 2:1 |

PC FILE NAME: PJ-039A

COPYRIGHT 2007 BY CUI INC.